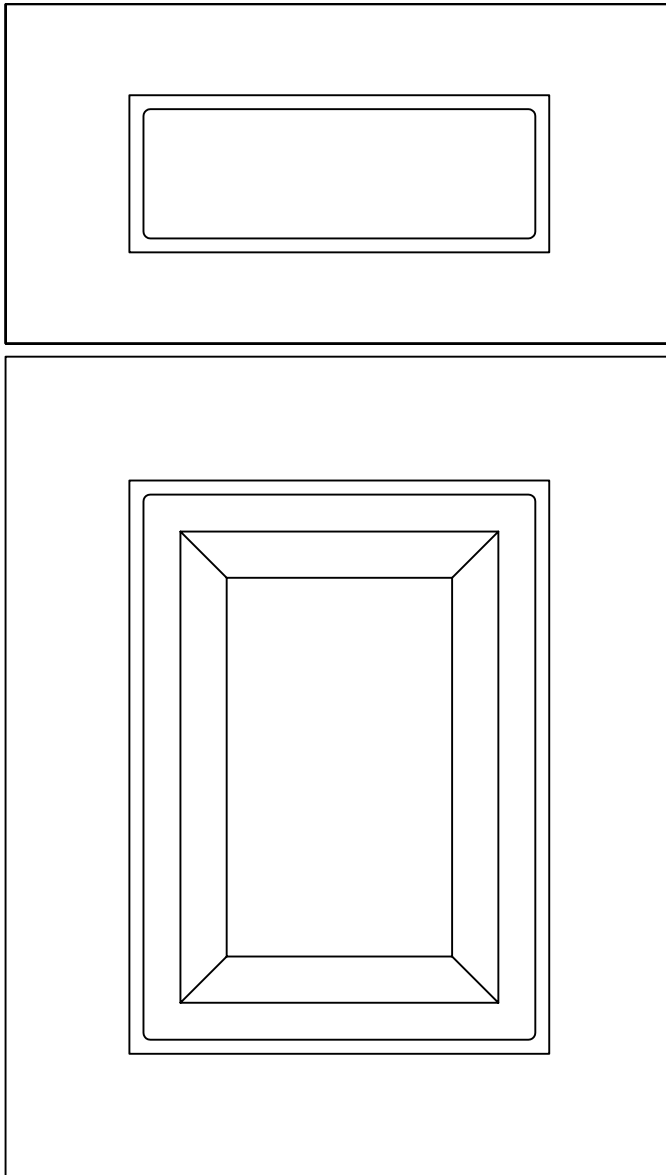


# 024 - Tiffany



**Notes:**

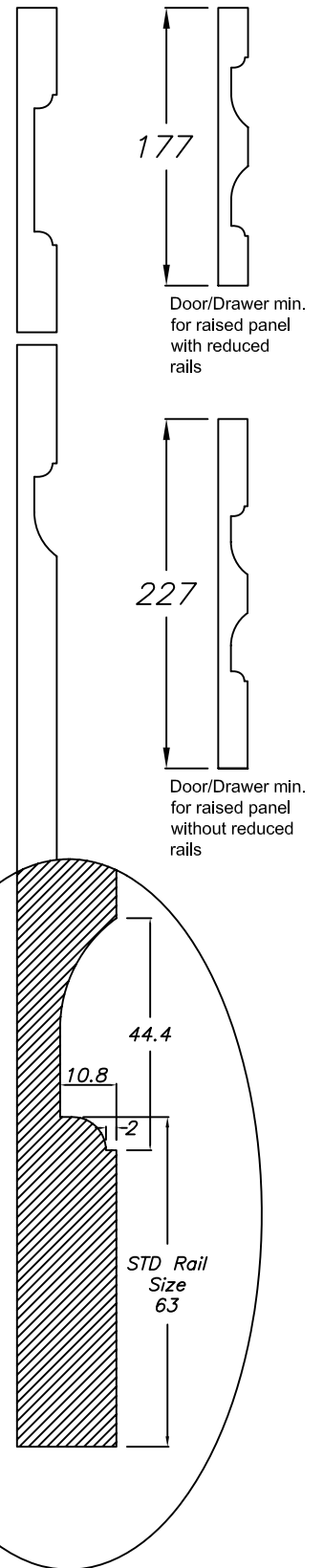
MDF 2 piece construction. Raised panel door. Square edge profile shown.

Fronts less than 227mm(9") will have reduced rails of 38mm(1 1/2").

Fronts less than 177mm(7") will be flat panel.

Fronts less than 150mm(5 15/16") will be slab.

Profile available in glass mullion.



**5 DAY  
DELIVERY**

**BEST DAMN DOORS**

**HELP DESK  
(519) 637-7023**